

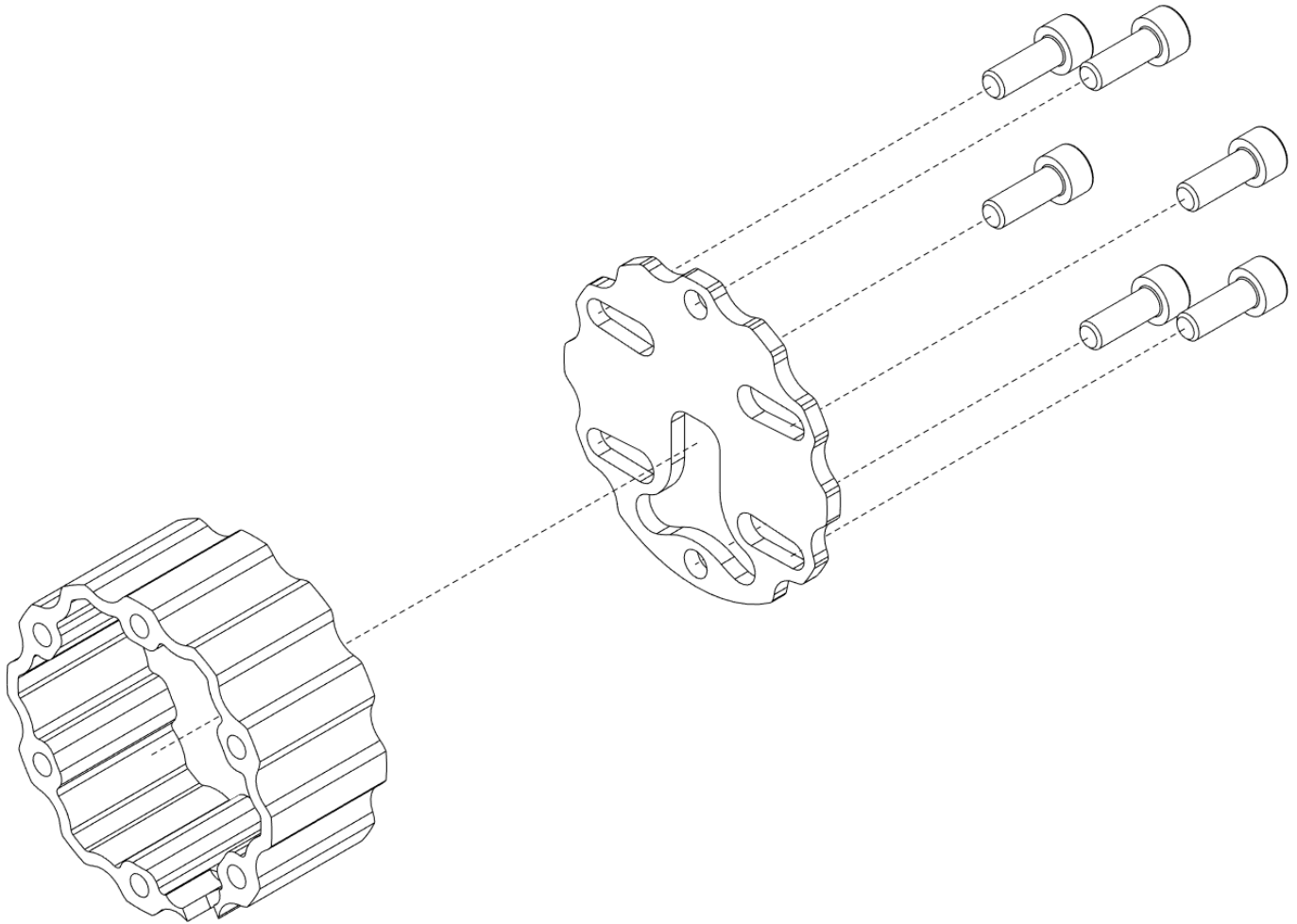
Invicta™ QR Quick Start Guide



ASETEK
SIM SPORTS®

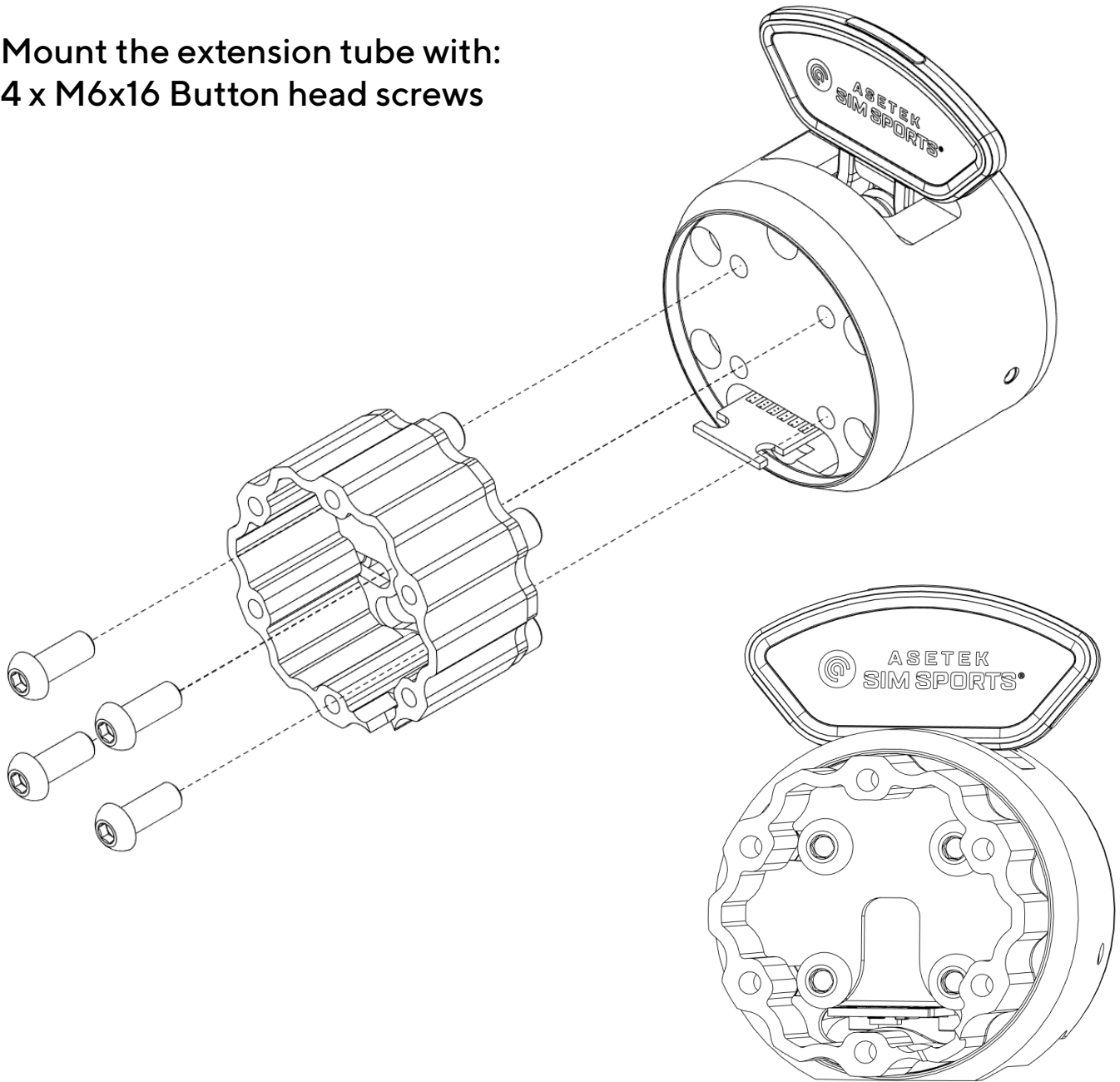
Step 1:

Mount the middle plate to the desired extension tube with:
6 x M5x14 Socket cap screws



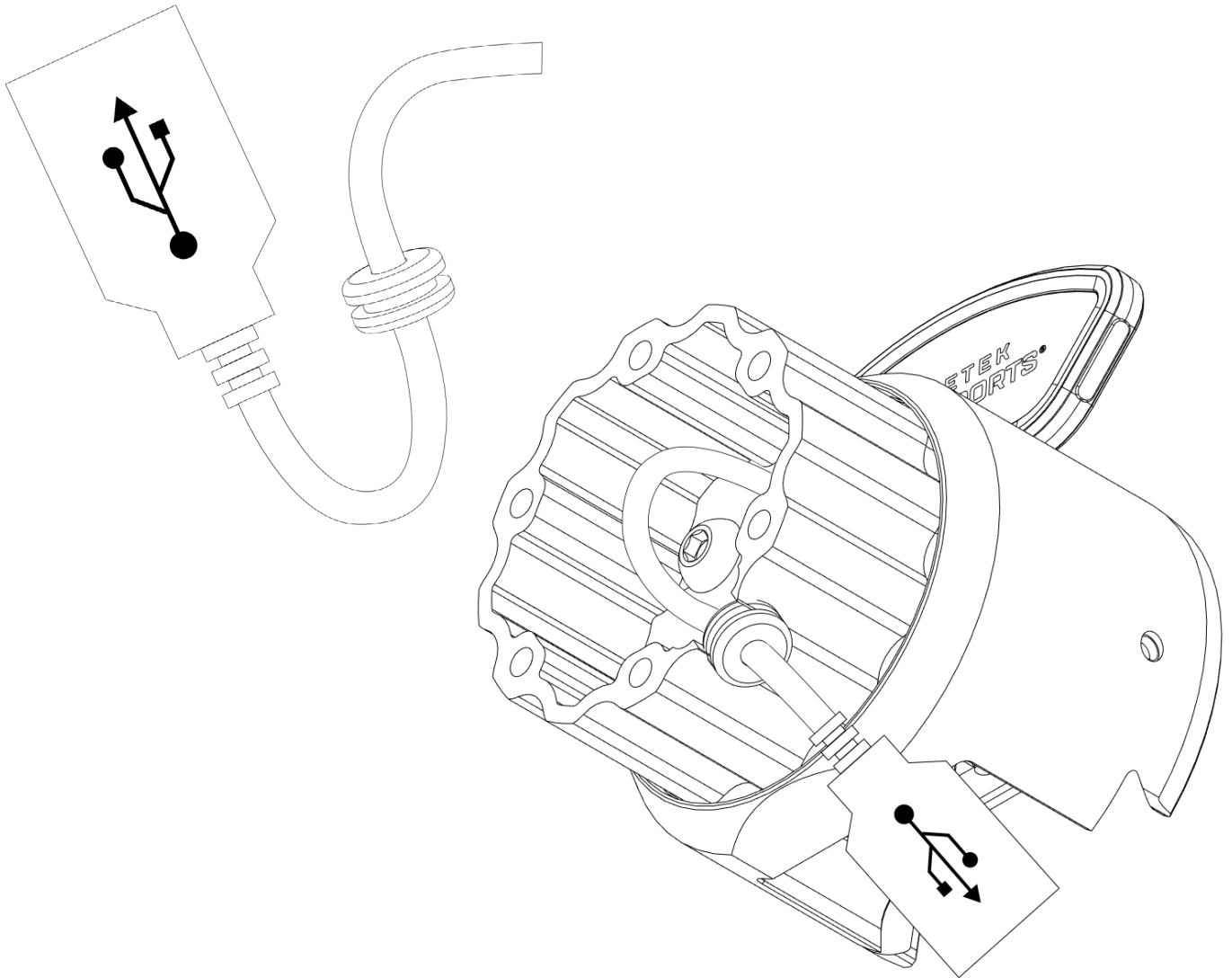
Step 2:

Mount the extension tube with:
4 x M6x16 Button head screws



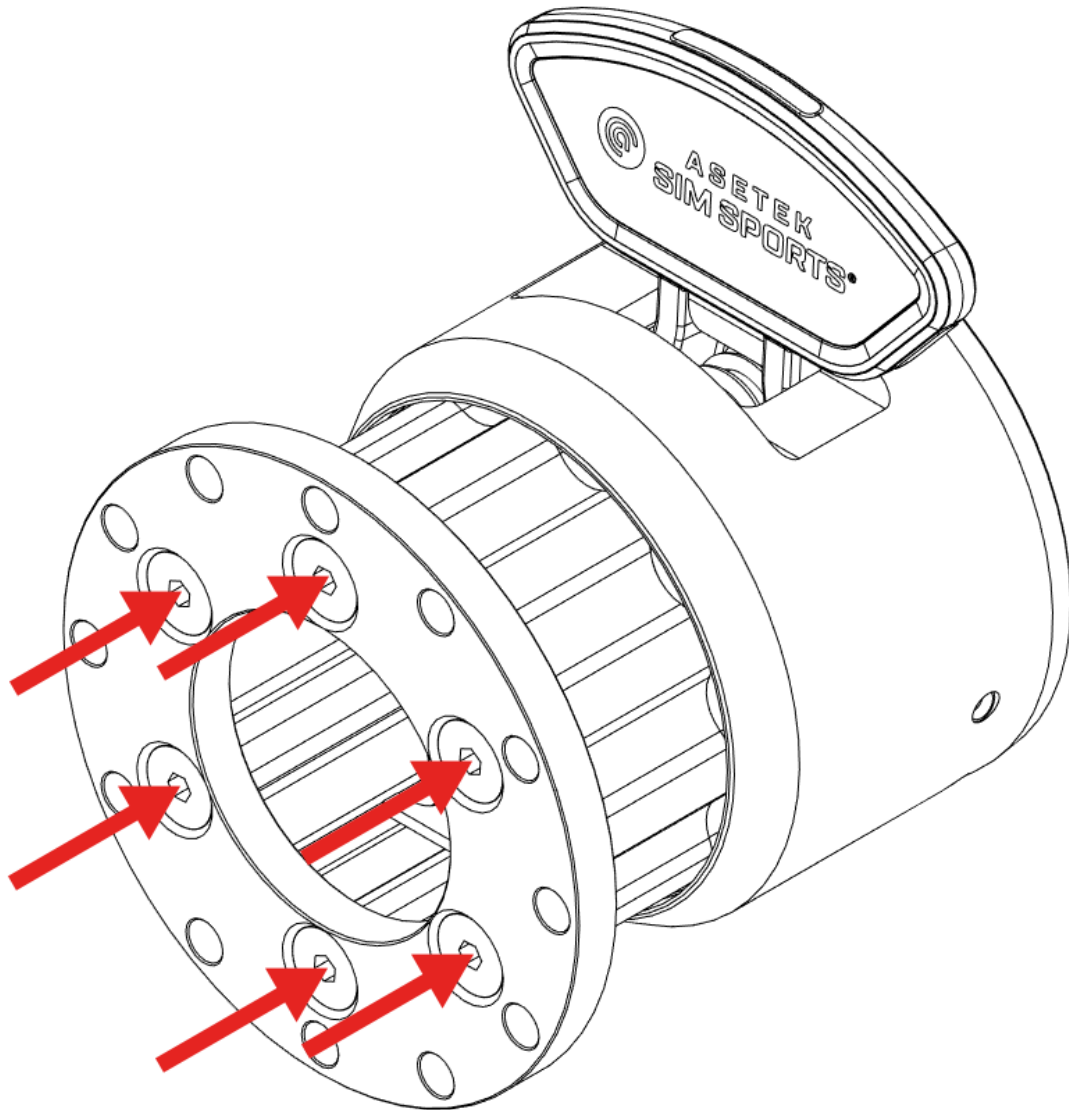
Step 3:

Put the rubber grommet on the USB cable and slide it in the hole on the extension tube.



Step 4:

Mount the adapter plate with:
6 x M5x16 countersunk screws



Step 5:

Mount the Quick Release onto your steering wheel with:
M5x12 Socket cap screws

